

PRIME

BRIDGE SAWS



PLUNGING MOTOR HANDLE
To be fixed directly on PRIME and SUPREME motor. (Optional)

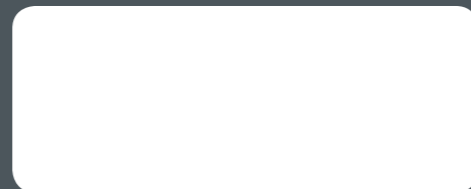
SIDE TABLE WITH ROLLERS
Composed by 5 galvanized rollers mounted on ball-bearings.
Dimension: 800 x 600 mm.
(Optional)

STORAGE
Built to reduce at the maximum the encumbrance during the carriage and above all the storage space.

	PRIME 85	PRIME 100	PRIME 120	PRIME 150	PRIME 200
Article	Art. 90851	Art. 91001	Art. 91201	Art. 91501	Art. 92001
CUTTING DISK Ø350 (int ø25,4mm.)	Optional				
ENGINE	Single phase / 230V/50Hz / 3Hp/2,2Kw				
ROTATION SPEED	2800 rpm				
AMPEROMETRICAL PROTECTION	13 A				
MAX CUTTING LENGTH	850 mm	1000 mm	1200 mm	1500 mm	2000 mm
MAX SIZE TILE FOR DIAGONAL CUTS	600 x 600 mm	705 x 705 mm	845 x 845 mm	1060 x 1060 mm	1410 x 1410 mm
MAX CUTTING DEPTH AT 90°	110 mm				
MAX CUTTING DEPTH WITH 2 RUNS	180 mm				
MAX CUTTING DEPTH AT 45°	80 mm				
WORKING TABLE SIZE	855 x 625 mm		1185 x 625 mm	1485 x 625 mm	2055 x 625 mm
WATER RECYCLING PUMP TYPE					
KIT WHEELS	Standard	Standard	Standard	Standard	Standard
LASER INSTRUMENT	Standard	Standard	Standard	Standard	Standard
DIMENSION MACHINE IN STOCK	720x1600x h. 1000 mm	720x1750x h. 1000 mm	720x1950x h. 1010 mm	720x2250x h. 1000 mm	720x2750x h. 1000 mm
NET WEIGHT	85 Kg	97,3 Kg	105 Kg	114,5 Kg	132 Kg



AUTHORIZED DEALER:

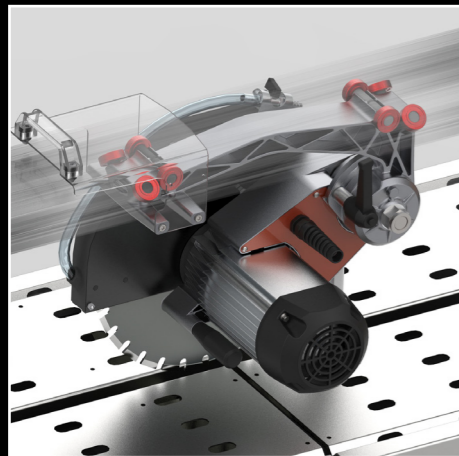


August 2022

BATTIPAV

MACCHINE PER EDILIZIA | MACHINES FOR BUILDING

Z. i. 2 - Via Cavatorta, 6/1 | 48033 Cotignola (Ra) | ITALY
www.battipav.com | sales@battipav.com



The carriage engine group slides with 8 ball-bearings on interchangeable stainless steel track. So doing the sliding is very fast and precise.



The **CUTTING PROGRESS SYSTEM** with **HANDWHEEL** adjusts the movement of the cutting head forward or behind. **Optional for the model: 85**



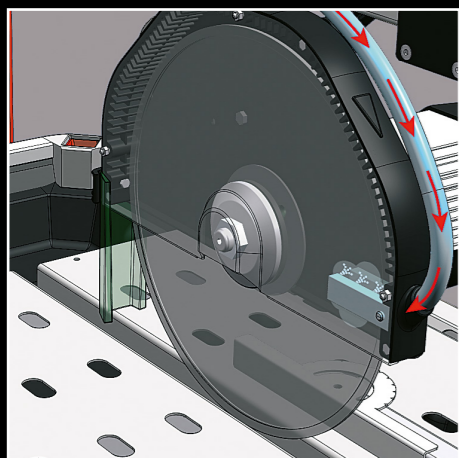
Position 45° angle cuts.



SIDE BAR SUPPORT
Made to have the top precision during the execution of straight and angled cuts on slabs of large size. Adjustable angle-shot cut.

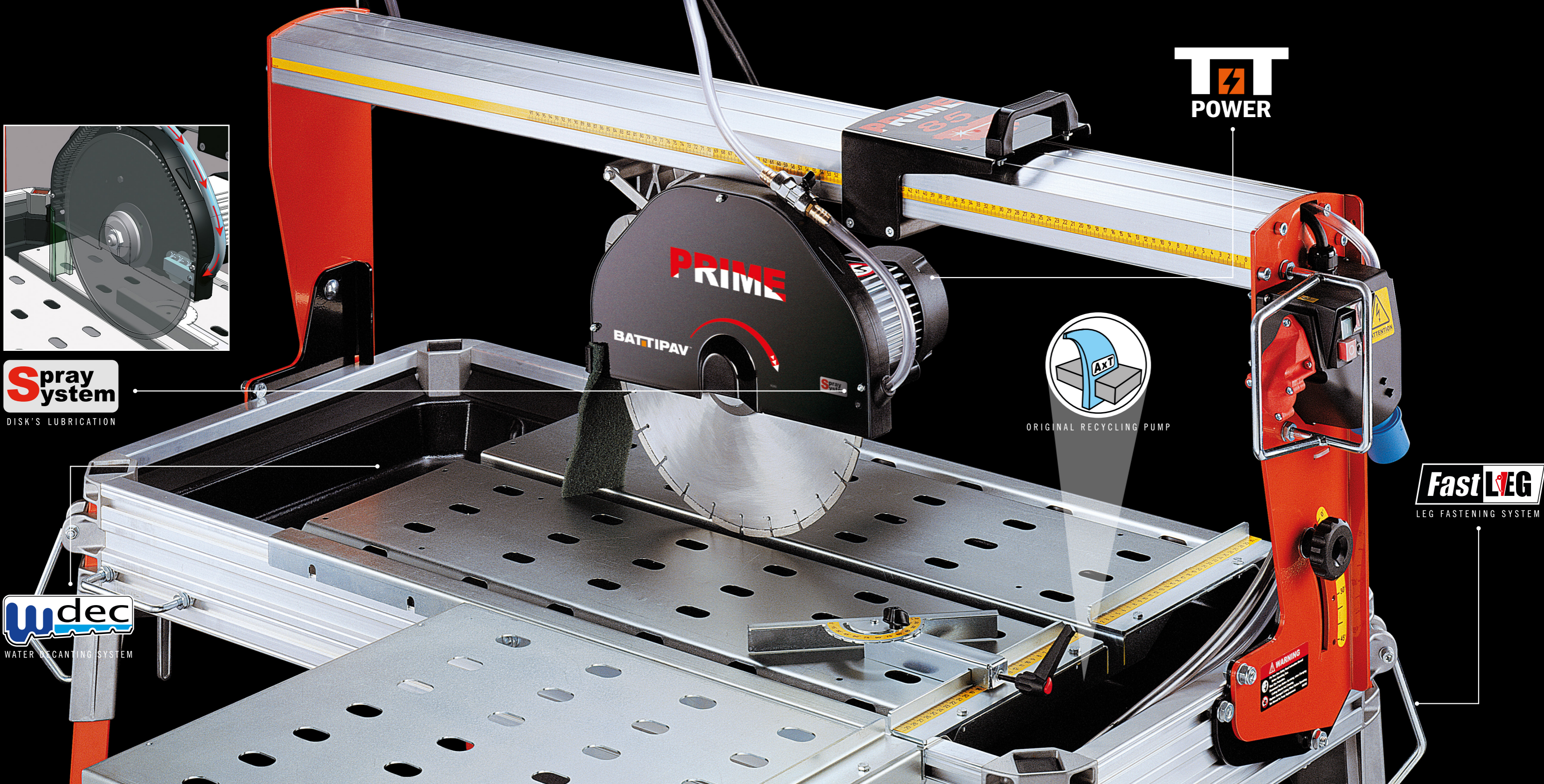


B-LOCK
Micrometric adjustable tile locking System for the materials up to 40 mm of thickness. (Optional)



Spray system
DISK'S LUBRICATION

wdec
WATER DECANTING SYSTEM



T POWER



ORIGINAL RECYCLING PUMP

Fast LEG
LEG FASTENING SYSTEM